



Pictorial Atlas of Deep Impact (& EPOXI) Instrument Thermal Telemetry Points

Donald Hampton

29 Jan, 2008

ITAR approved on 4 Feb 2008

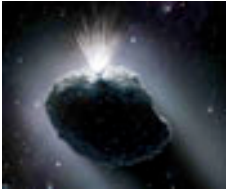
(See the signoff form at the end of this document)



Introduction



- Thermal telemetry on the DI instruments is divided between those recorded by the instruments themselves and those recorded by the thermal control subsystems of the spacecraft
 - Those collected by the S/C thermal subsystem have AMMOS telemetry IDs that begin with a “T”
 - Those collected by the instruments have AMMOS telemetry IDs that begin with an “I”
 - Some instrument telemetry points are also included in image headers. I have listed the FITS file header keywords for those telemetry points that are included in the image headers - They are indicated either by table headings, or with square brackets, e.g. “[KEYWORD]”
- All of the temperature sensors are described in detail in the instrument thermal SER DI-INST-THR-030. Most of the figures in this presentation are taken from this report.
 - All of the sensors listed in tables 2-1, 2-2 and 2-3 are shown in the figures of this document.



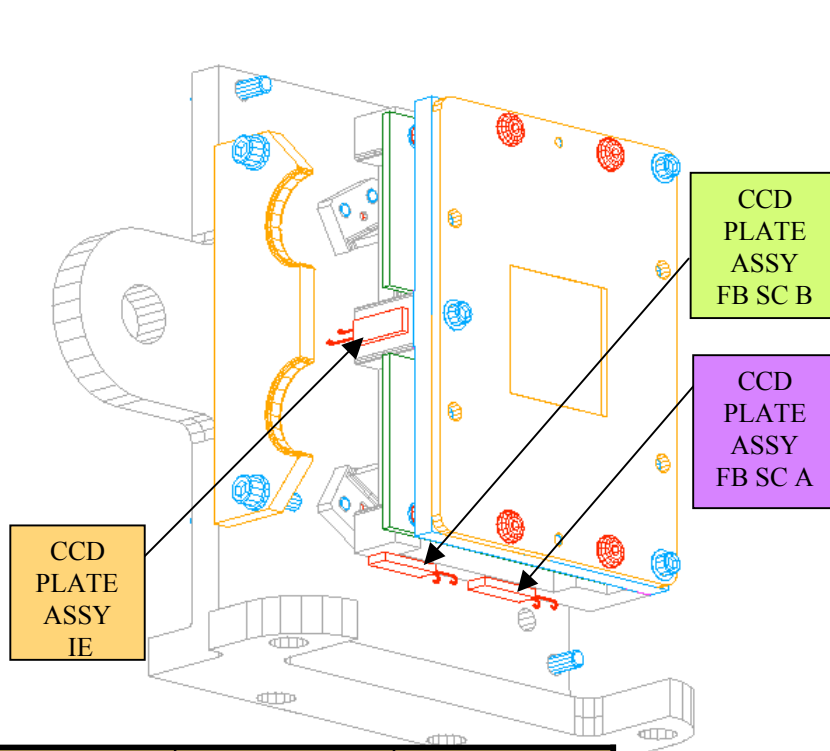
Format and Arrangement



- The instruments are presented in order - HRI, MRI then ITS
- In the case of the CCD assembly, the CCD pre-amplifiers and the electronics boxes, the placement of the sensors is similar, so for these there is a single slide
- Note for the S/C temperature sensor on the instrument electronics boxes, the planned temperature sensor internal to the box was electronically incompatible with the S/C sampling circuit. Thus, a sensor was mounted on the outside of the box, near the mounting flanges. The exact position is not available at this time, so the position shown on page 6 is approximate.



CCD Assembly

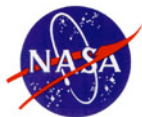


Instrument	Flyby S/C Sensor # TIB-B	AMMOS Telemetry ID
HRI	TS109	T-1793
MRI	TS112	T-1797
ITS	TS130	T-1801

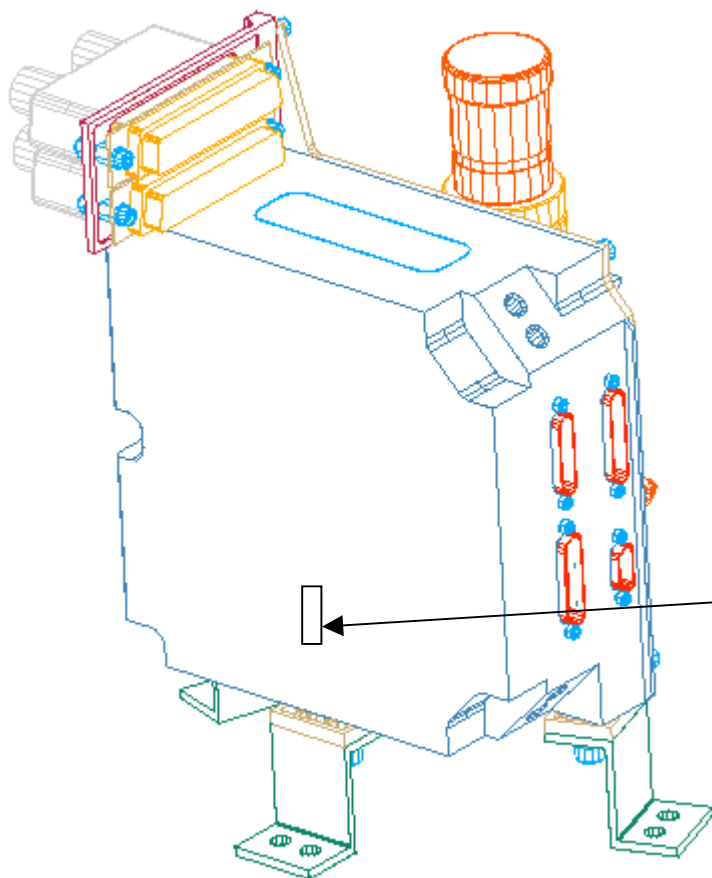
Instrument	Flyby S/C Sensor # TIB-A	AMMOS Telemetry ID
HRI	TS103	T-0296
MRI	TS106	T-0284

Instrument	Impactor Sensor #	AMMOS Telemetry ID
ITS	I_TS49	T-2285

Instrument	Instrument Sensor #	AMMOS telemetry ID	FITS Header Keyword
HRI	PTS1	I-0233	CCDT
MRI	PTS11	I-1233	CCDT
ITS	PTS21	I-2233	CCDT



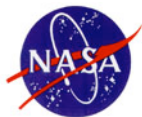
Pre-Amp Box



Instrument	TIB	Flyby S/C Sensor #	AMMOS Telemetry ID
HRI	A	TS107	T-0303
MRI	B	TS113	T-1805
ITS	N/A	N/A	N/A

PRE-AMP BOX

Instrument	Instrument Sensor #	AMMOS Telemetry ID	FITS Header Keyword
HRI	AD590PAMP	I-0231	CCDPRET
MRI	AD590PAMP	I-1231	CCDPRET
ITS	AD590PAMP	I-2231	CCDPRET

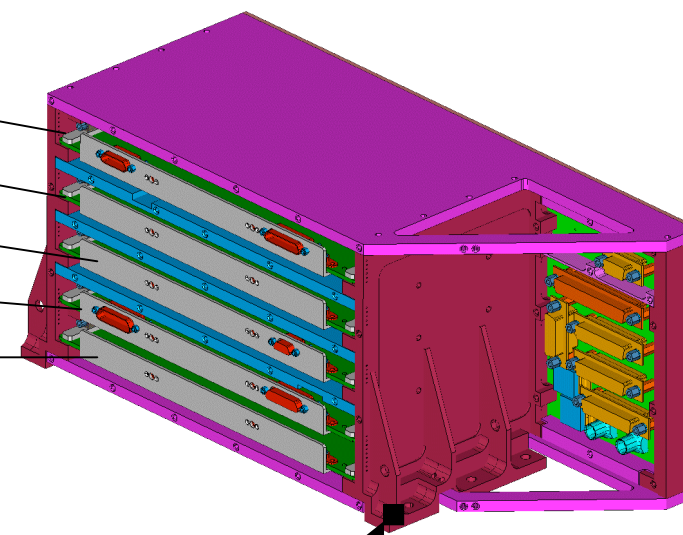


Electronics Boxes



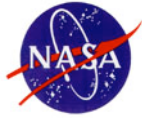
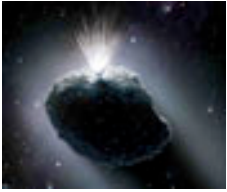
Instrument Electronics AD590 Temperature sensors
 Specific placement differs from board to board.

Board	HRI	MRI	ITS	FITS Header Keyword
IR Sig. Proc.	I-0225	N/A	N/A	IR590T
Low Volt. Power Supply	I-0229	I-1229	I-2229	LVPS590T
CCD Sig. Proc.	I-0223	I-1223	I-2223	CCD590T
Mech/Telem	I-0227	I-1227	I-2227	N/A
Inst. Controller	I-0221	I-1221	I-2221	IC590T

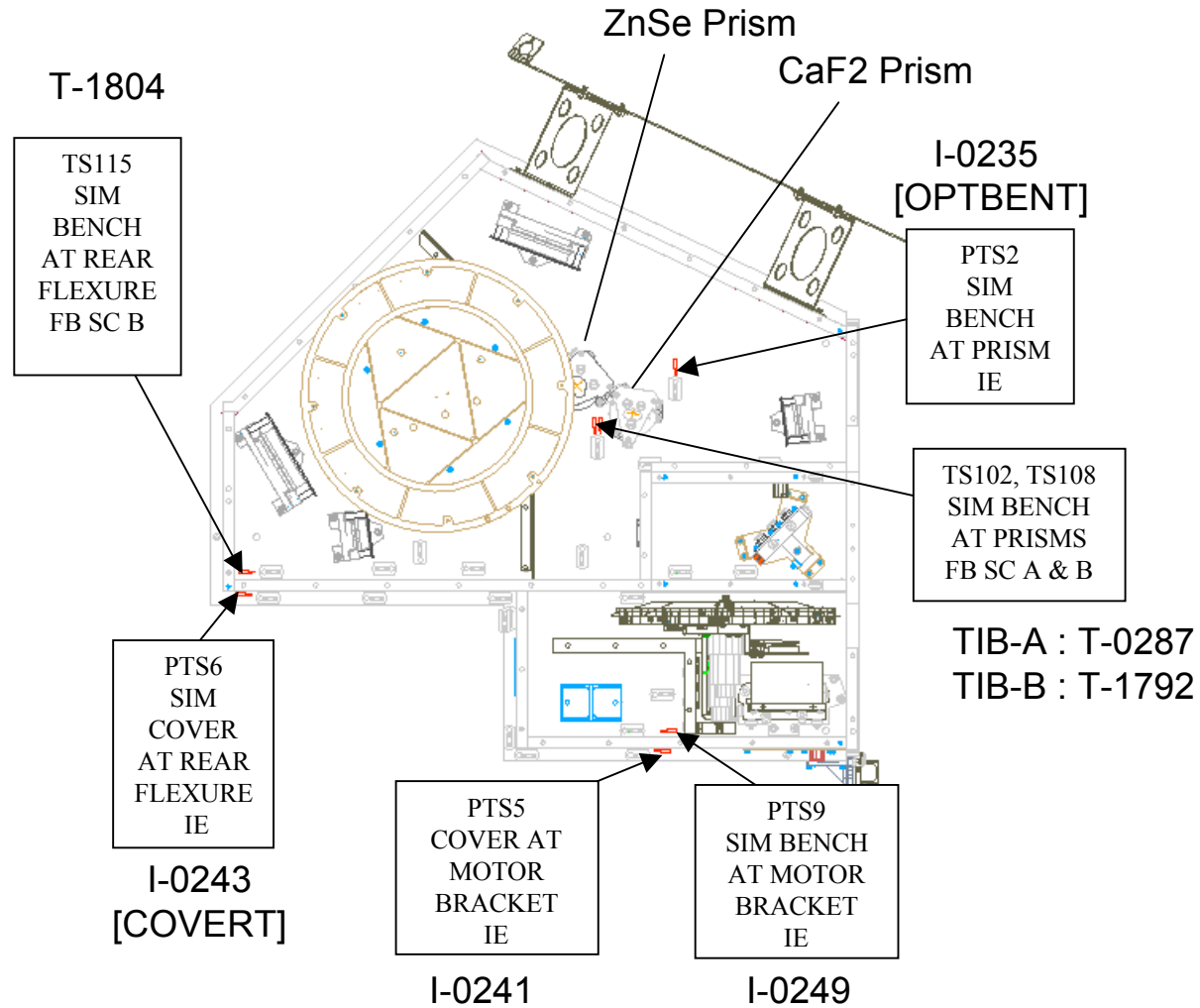


Instrument	S/C Sensor ID	TIB	Telemetry ID
HRI	TS116	A	T-0327
MRI	TS117	B	T-1819
ITS	N/A	N/A	N/A

ELECTRONICS BOX
 FB SC A & B

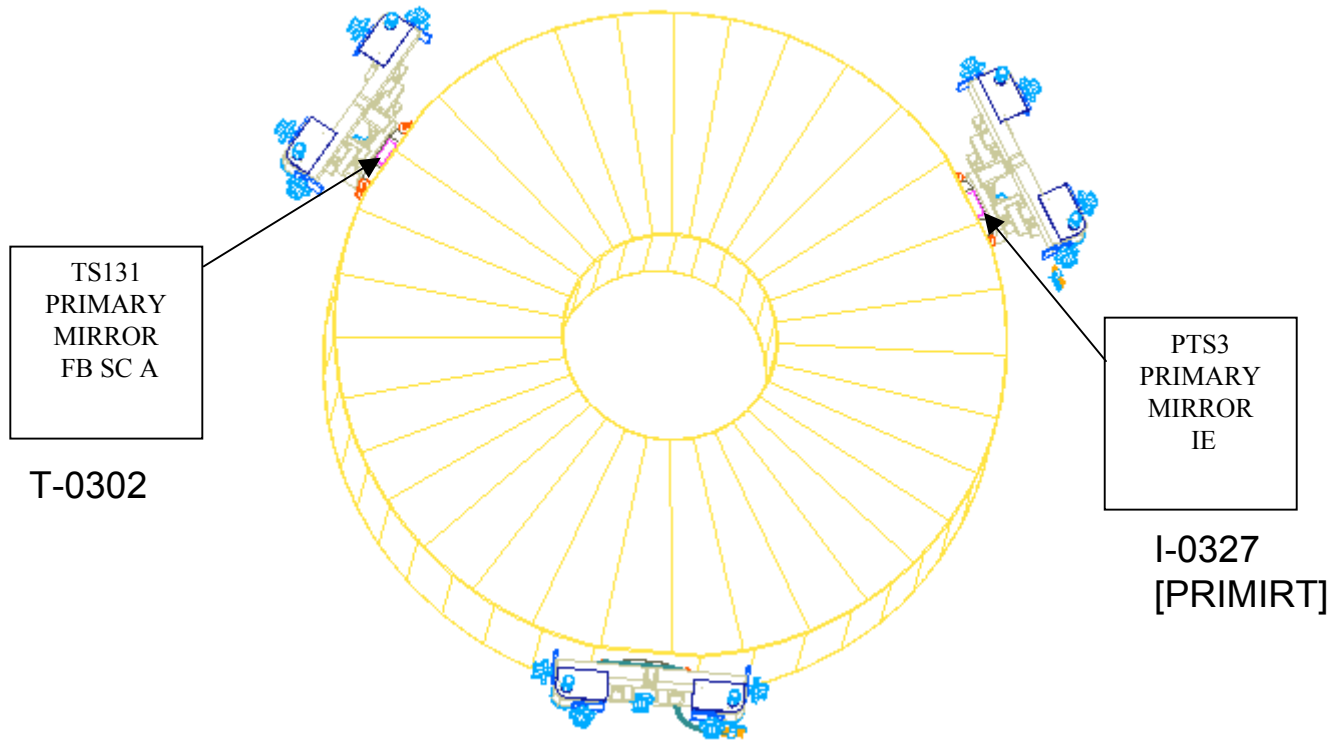


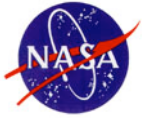
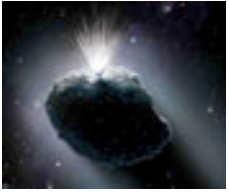
HRI SIM Bench



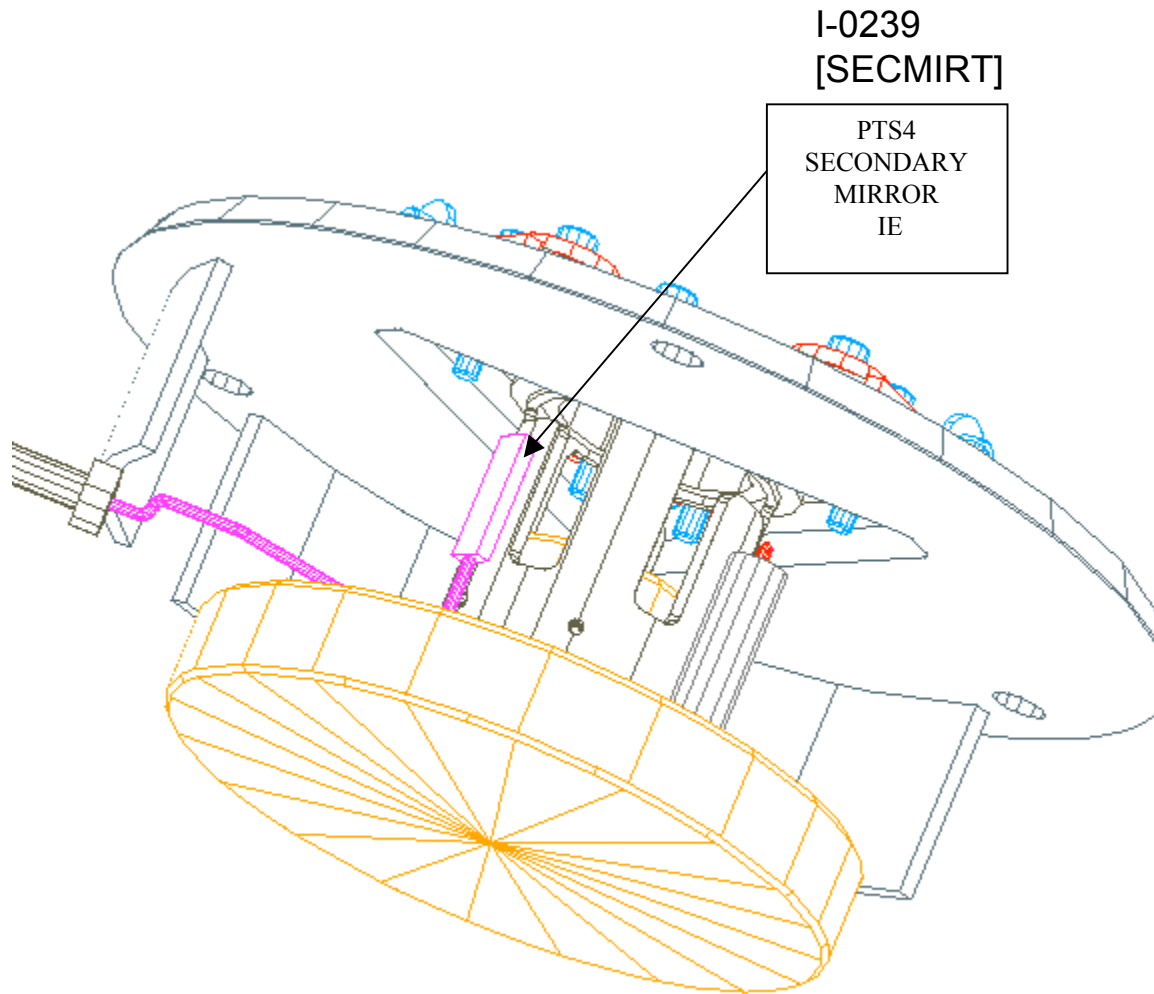


HRI Primary Mirror



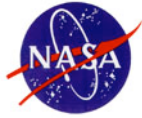


HRI Secondary Mirror

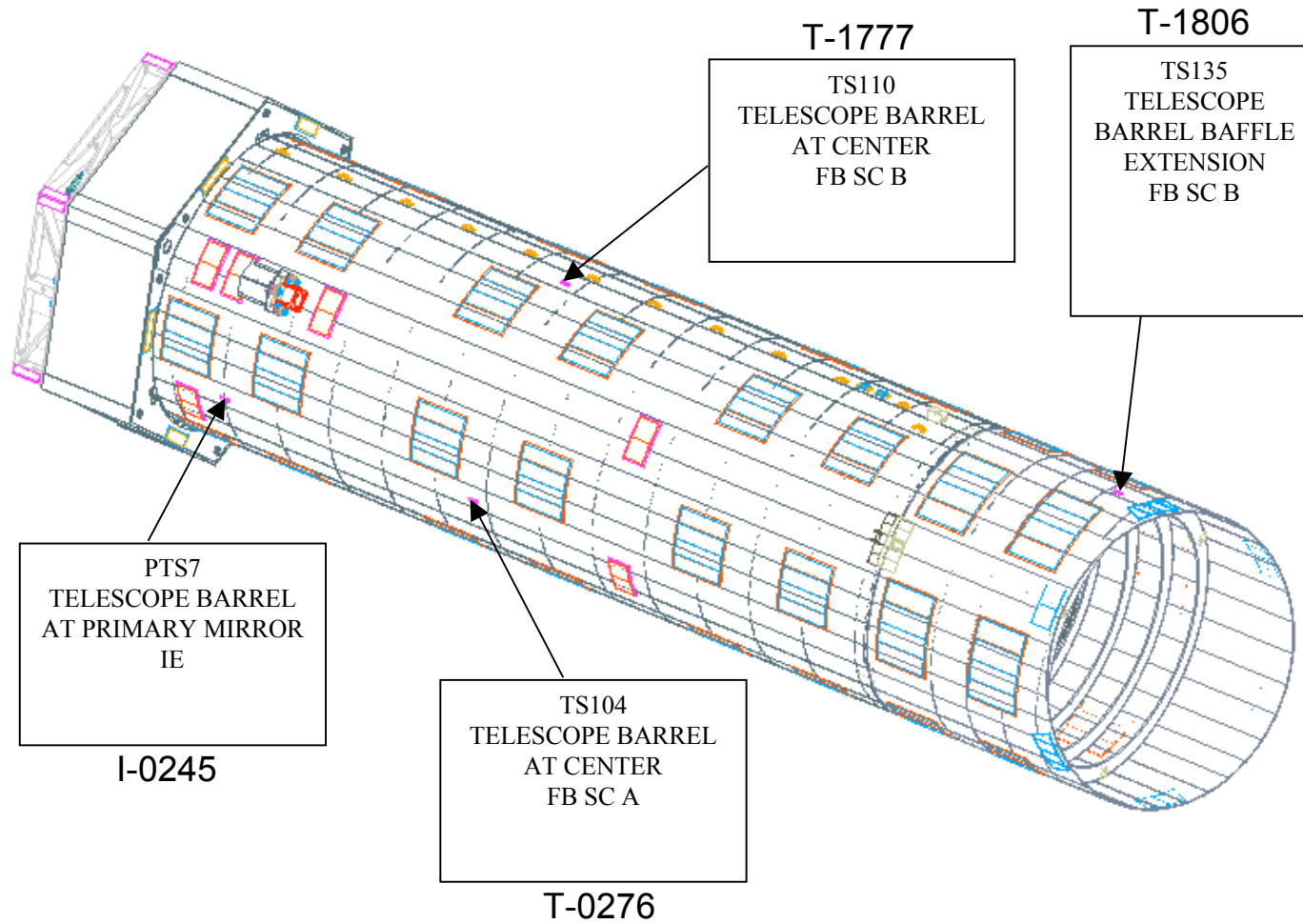


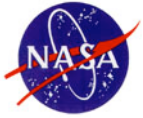
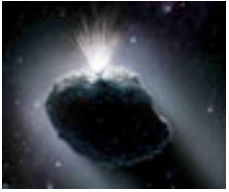
I-0239
[SECMIRT]

PTS4
SECONDARY
MIRROR
IE

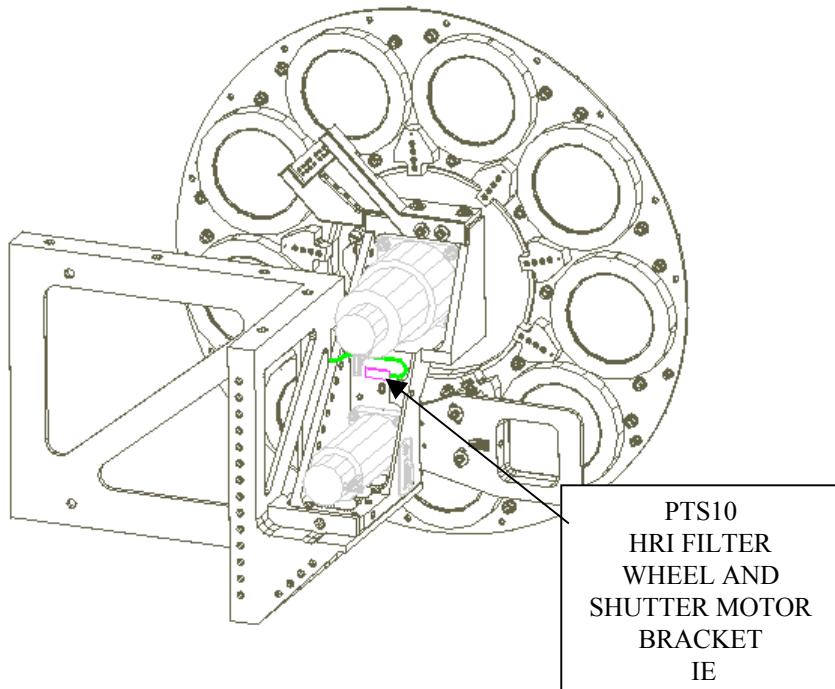


HRI Telescope Barrel

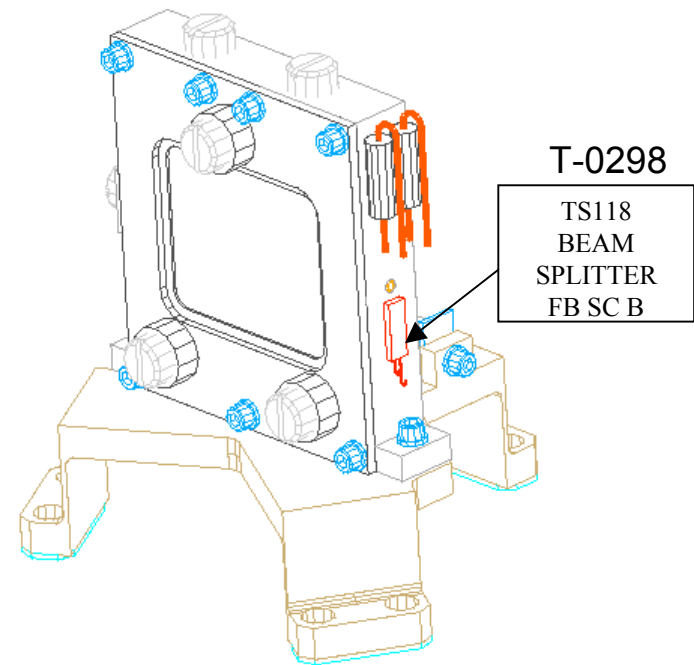


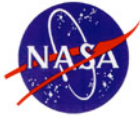
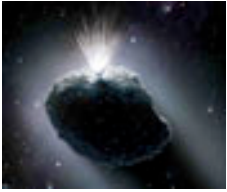


HRI Filter Wheel and Beamsplitter

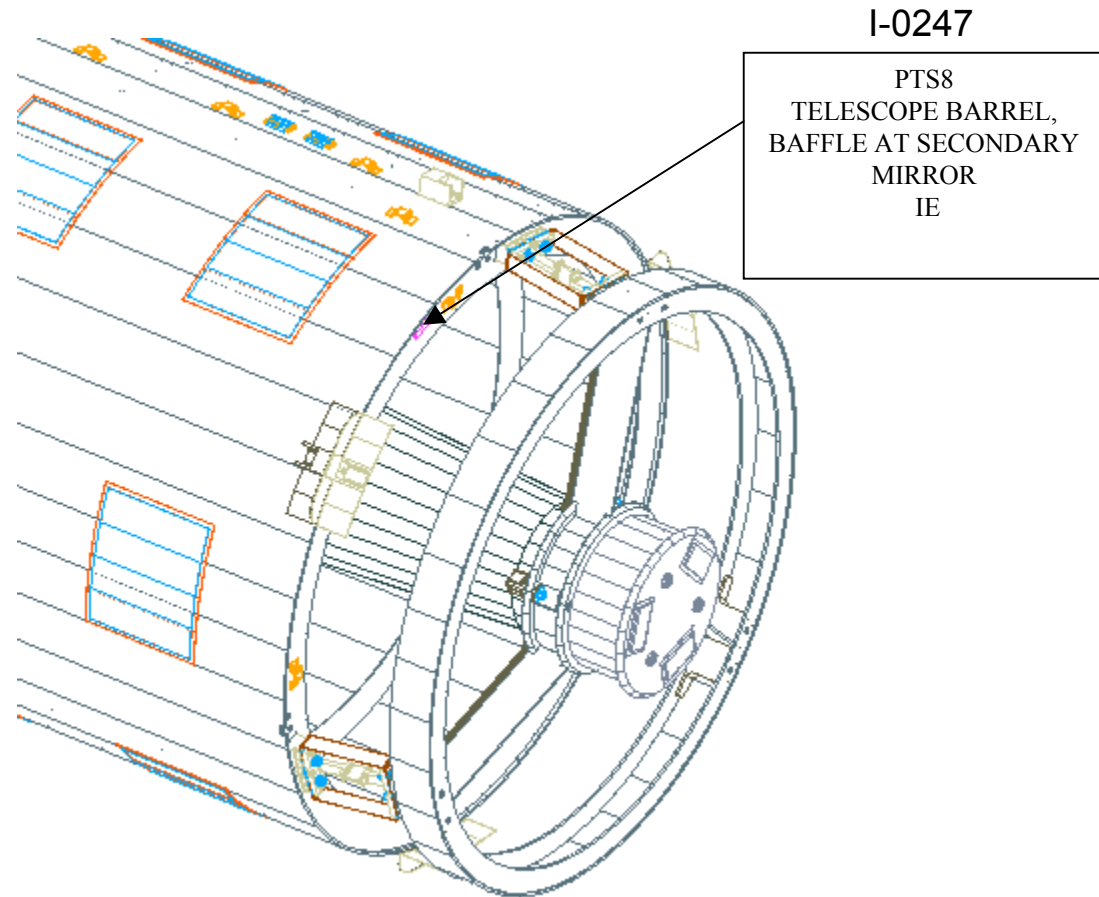


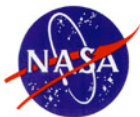
I-0251





HRI Telescope @ Secondary





IR Detector Primary and Secondary Radiator



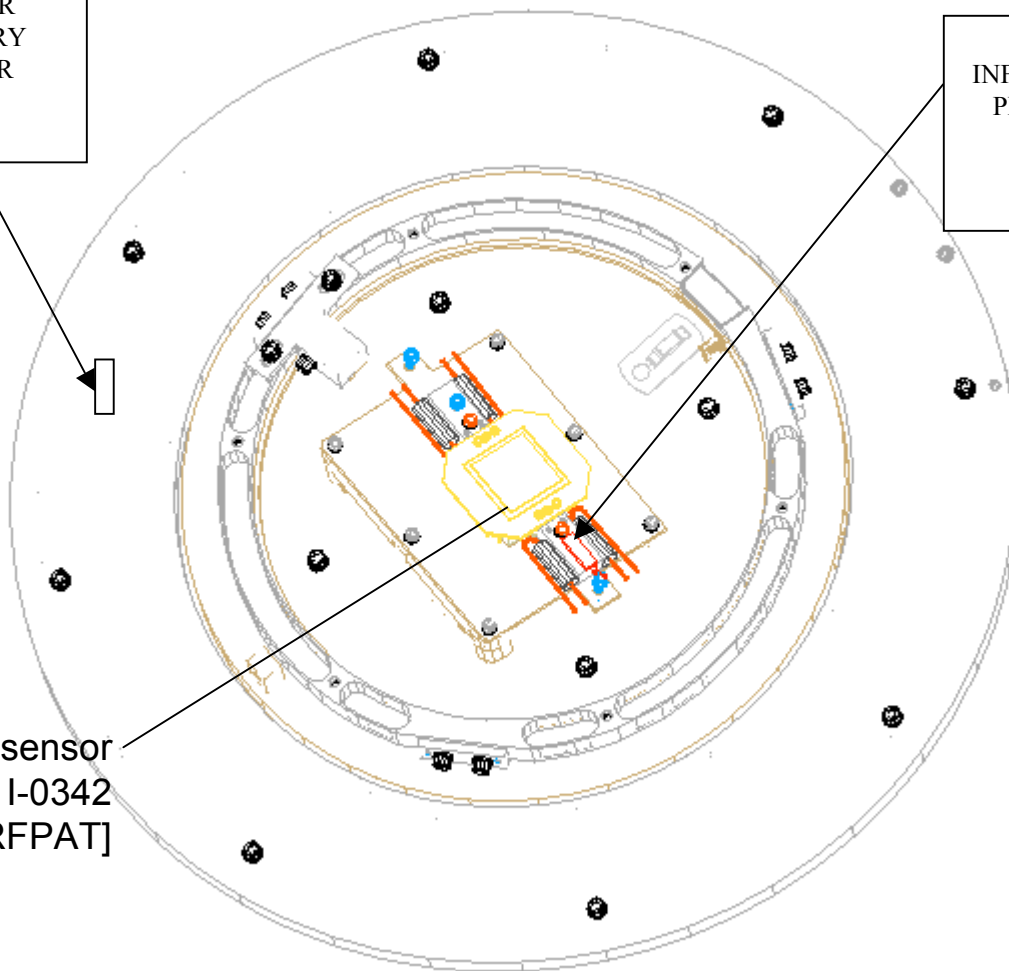
T-0305

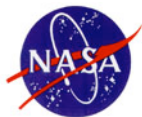
TS134
IR COOLER
SECONDARY
RADIATOR
FB SC A

T-0306

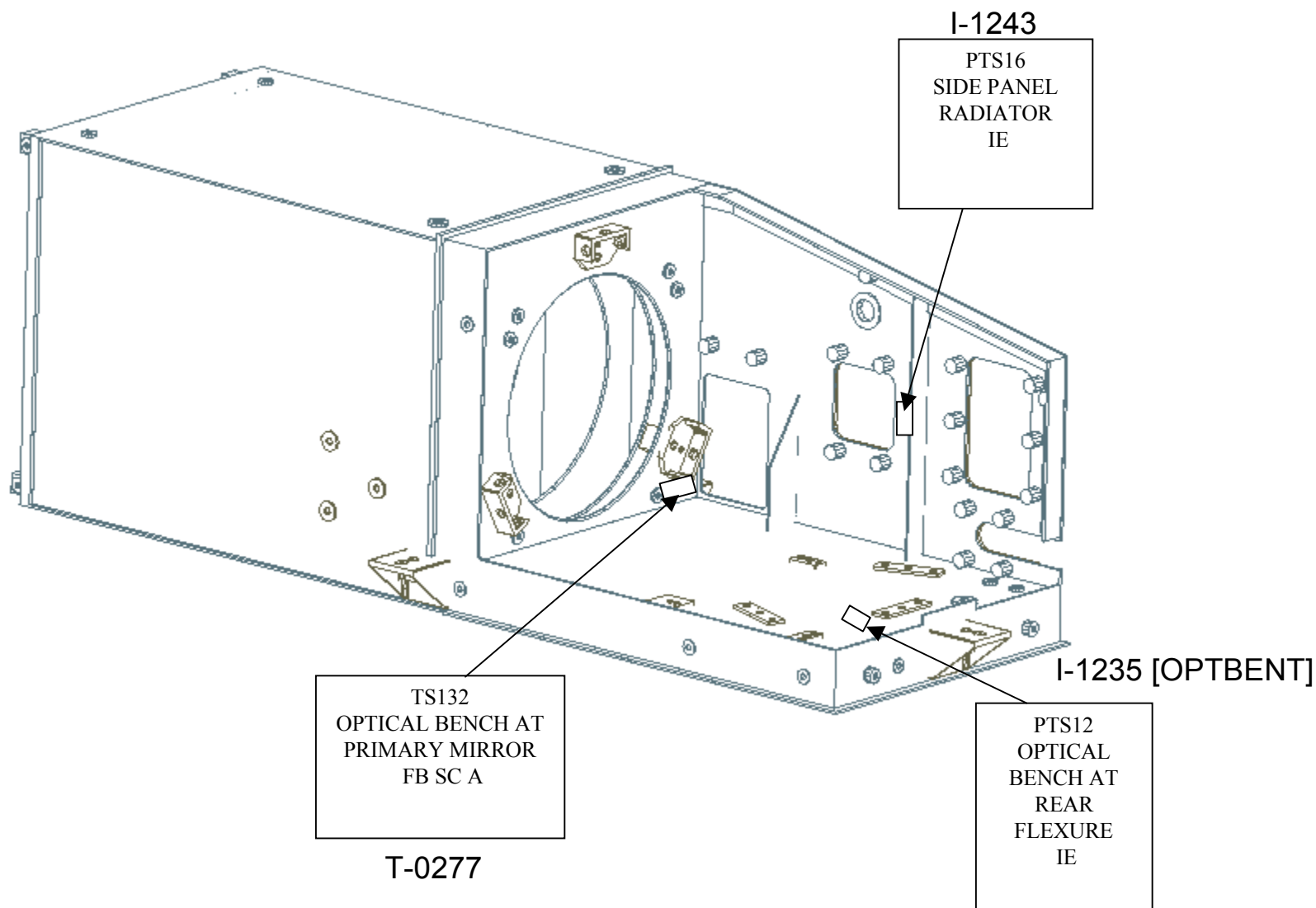
TS114
INFRARED FOCAL
PLANE ARRAY
FB SC A

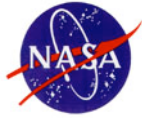
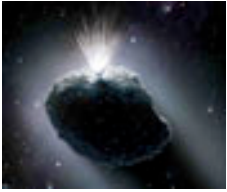
On-chip IR FPA temp sensor
I-0342
[IRFPAT]



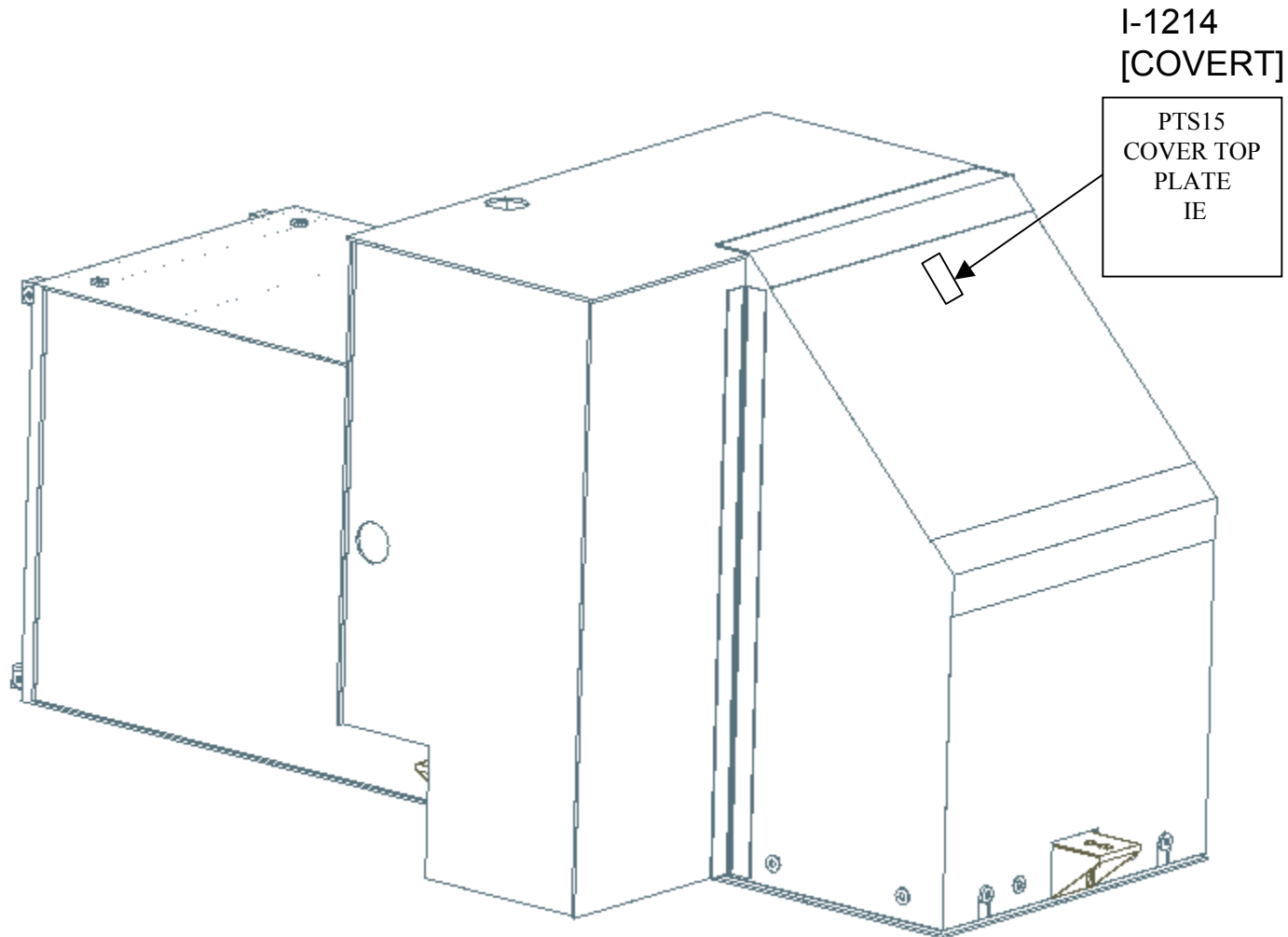


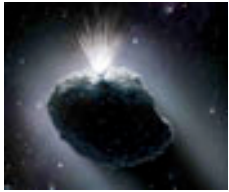
MRI Interior Structure



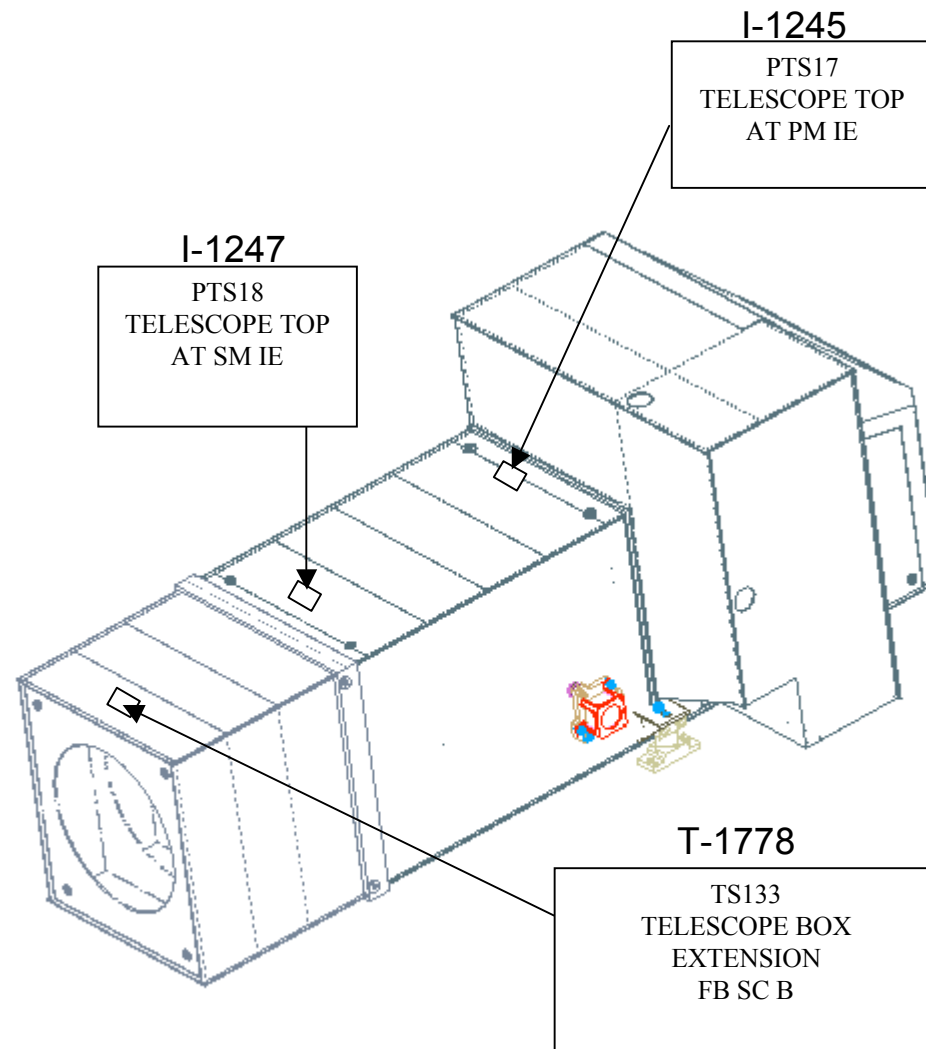


MRI Exterior Structure 1 of 3



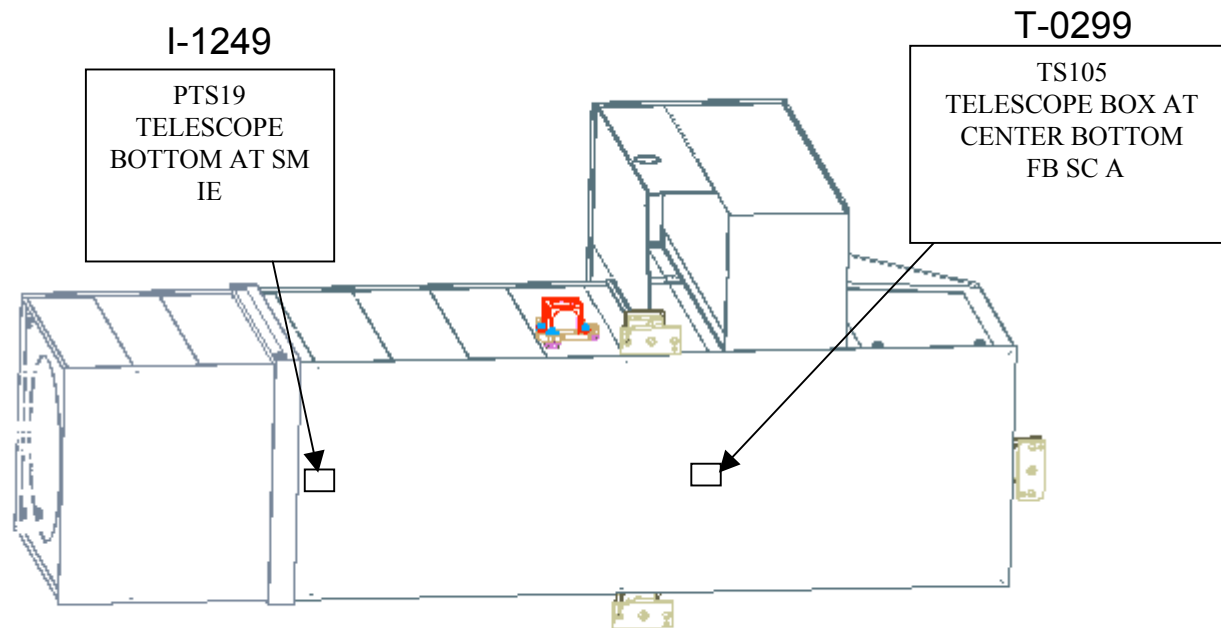


MRI Exterior Structure 2 of 3



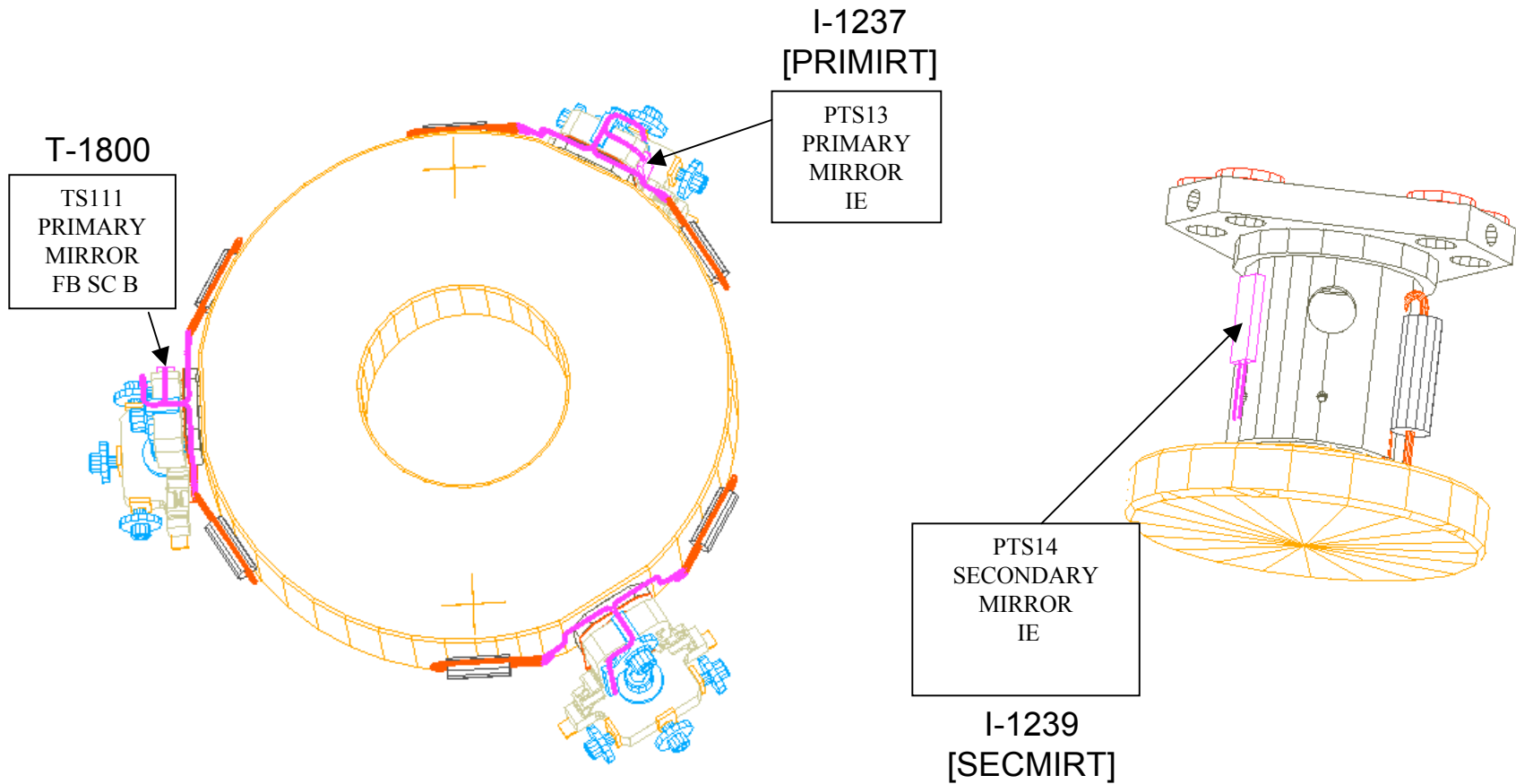


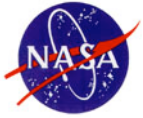
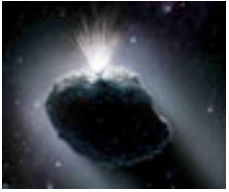
MRI Exterior Structure 2 of 3



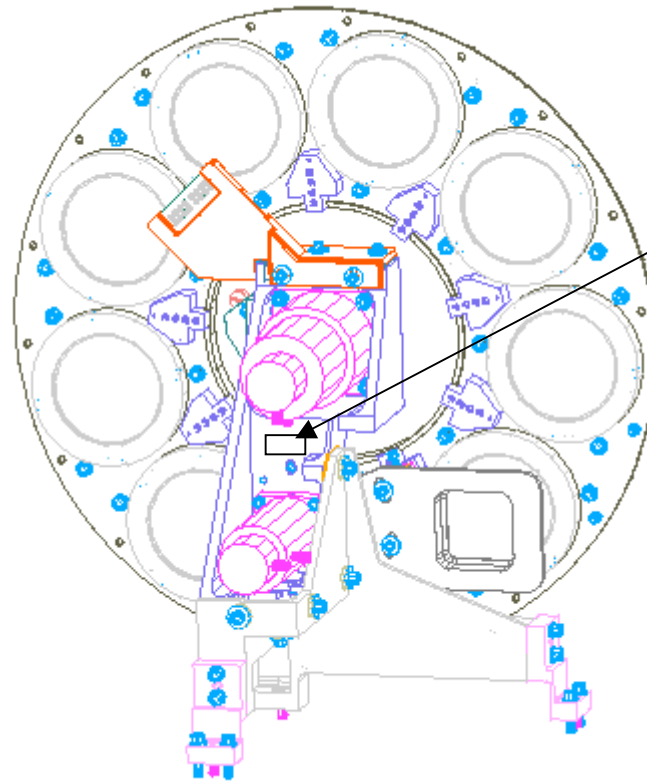


MRI Primary & Secondary Mirrors





MRI Filter Wheel

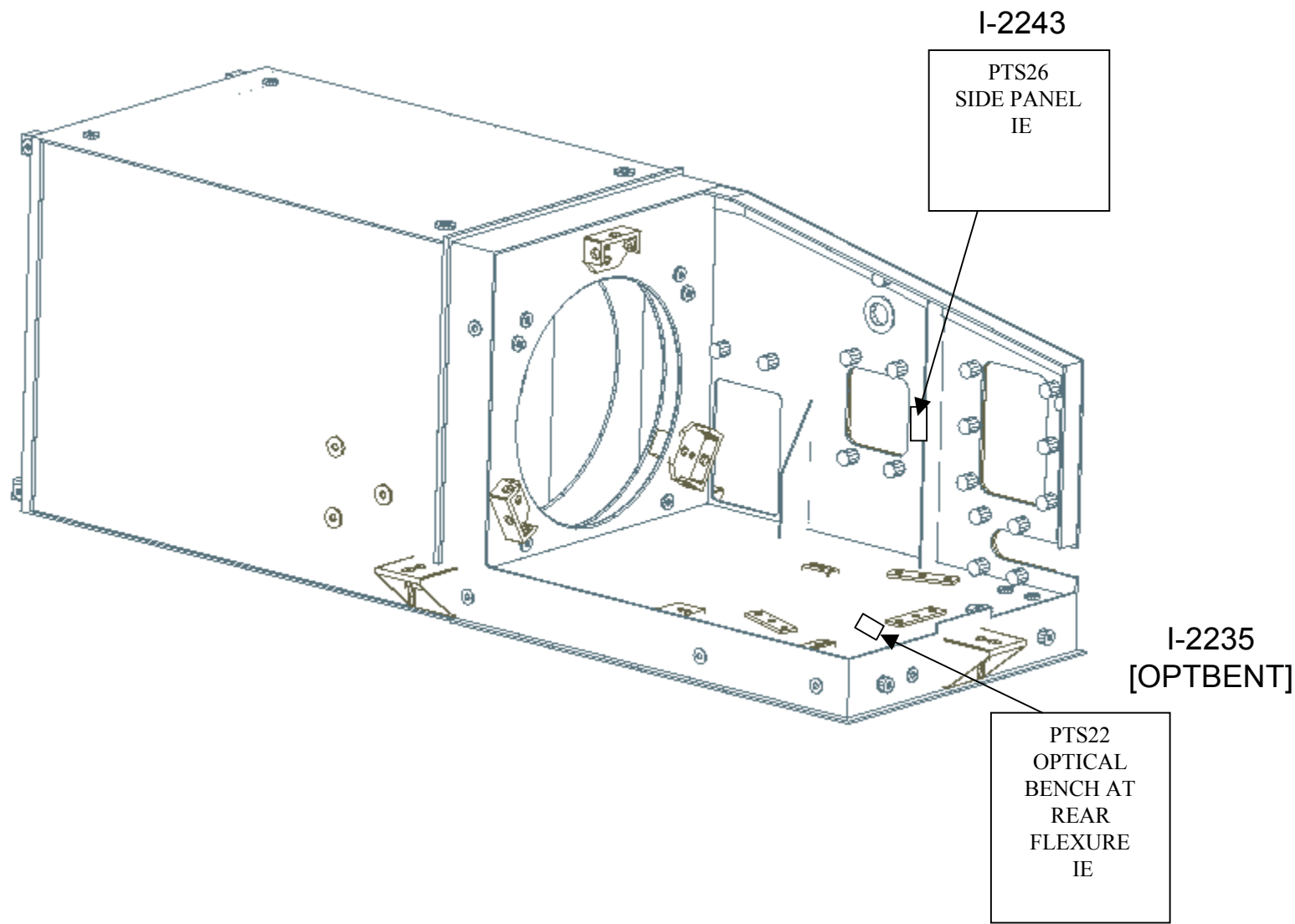


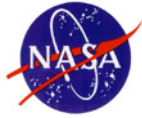
I-1251

PTS20
FILTER WHEEL
AND SHUTTER
MOTOR BRACKET
IE

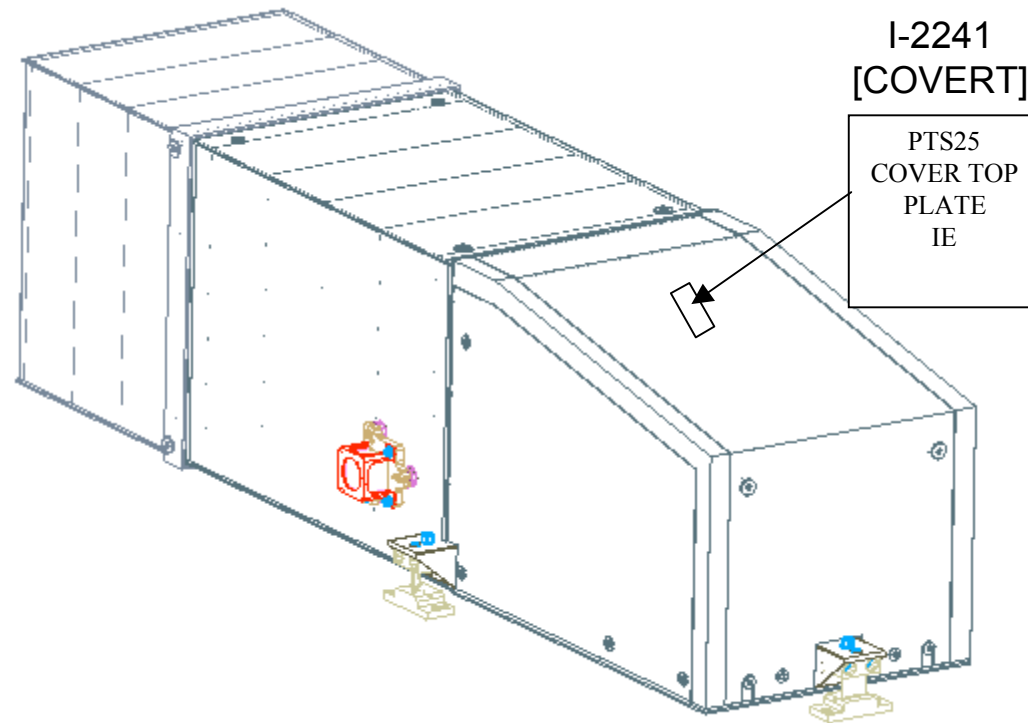


ITS Internal Structure



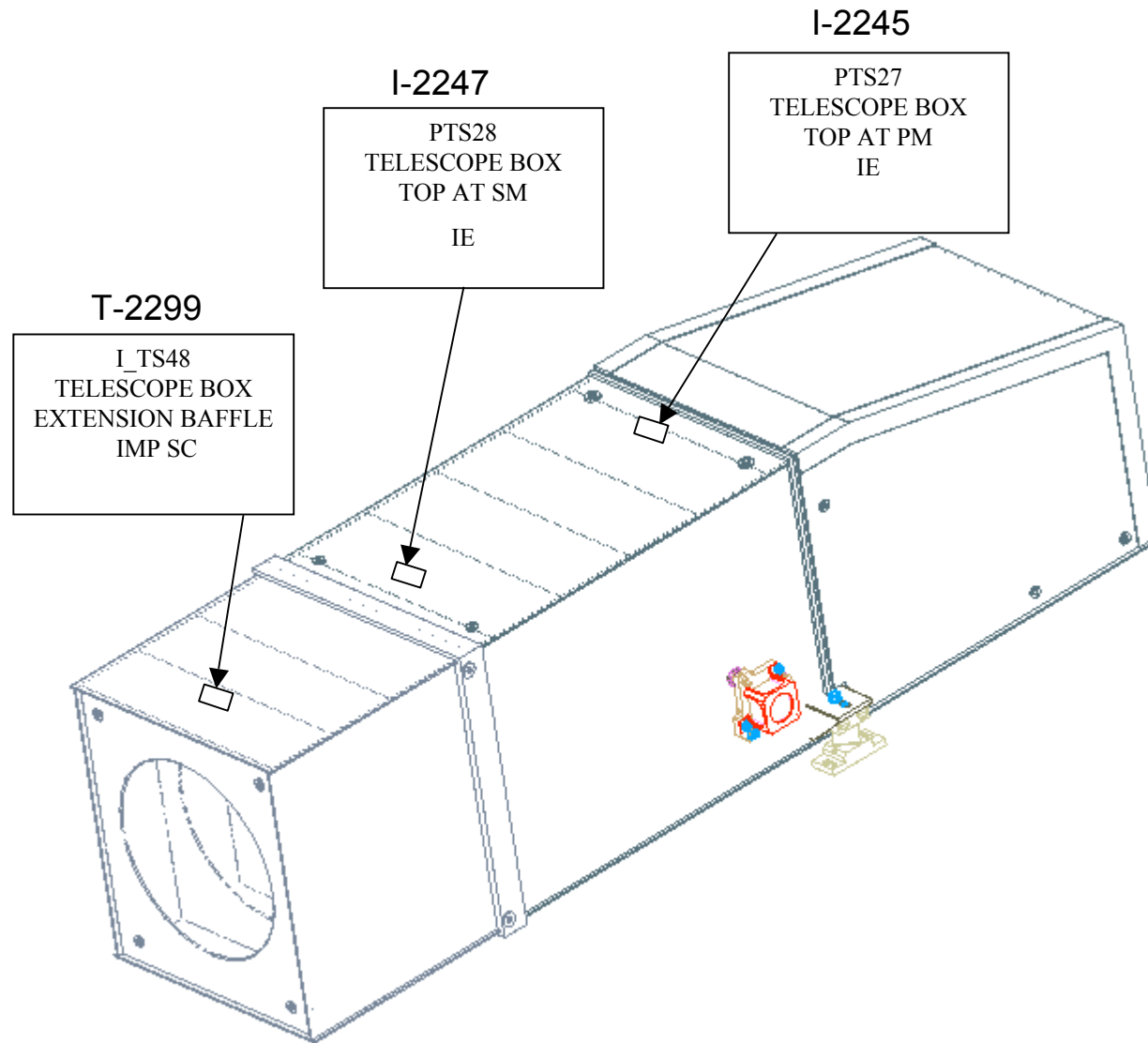


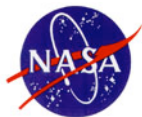
ITS External Structure 1 of 3



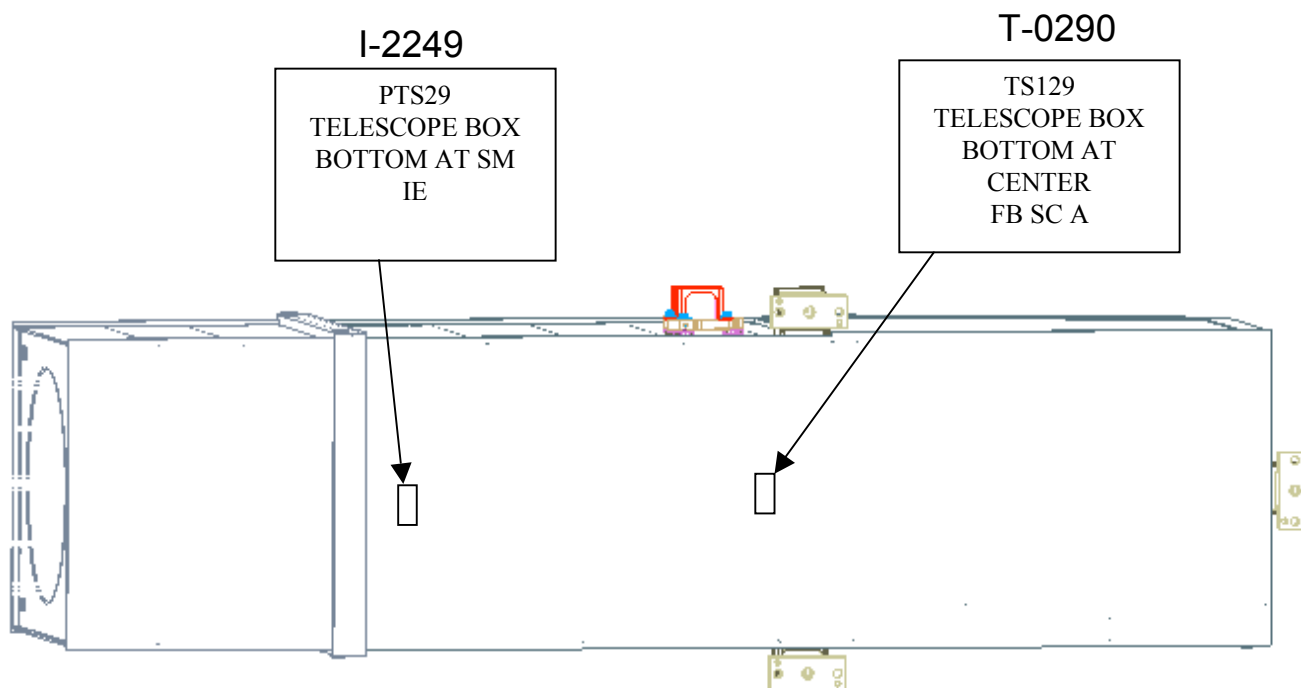


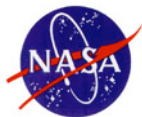
ITS External Structure 2 of 3



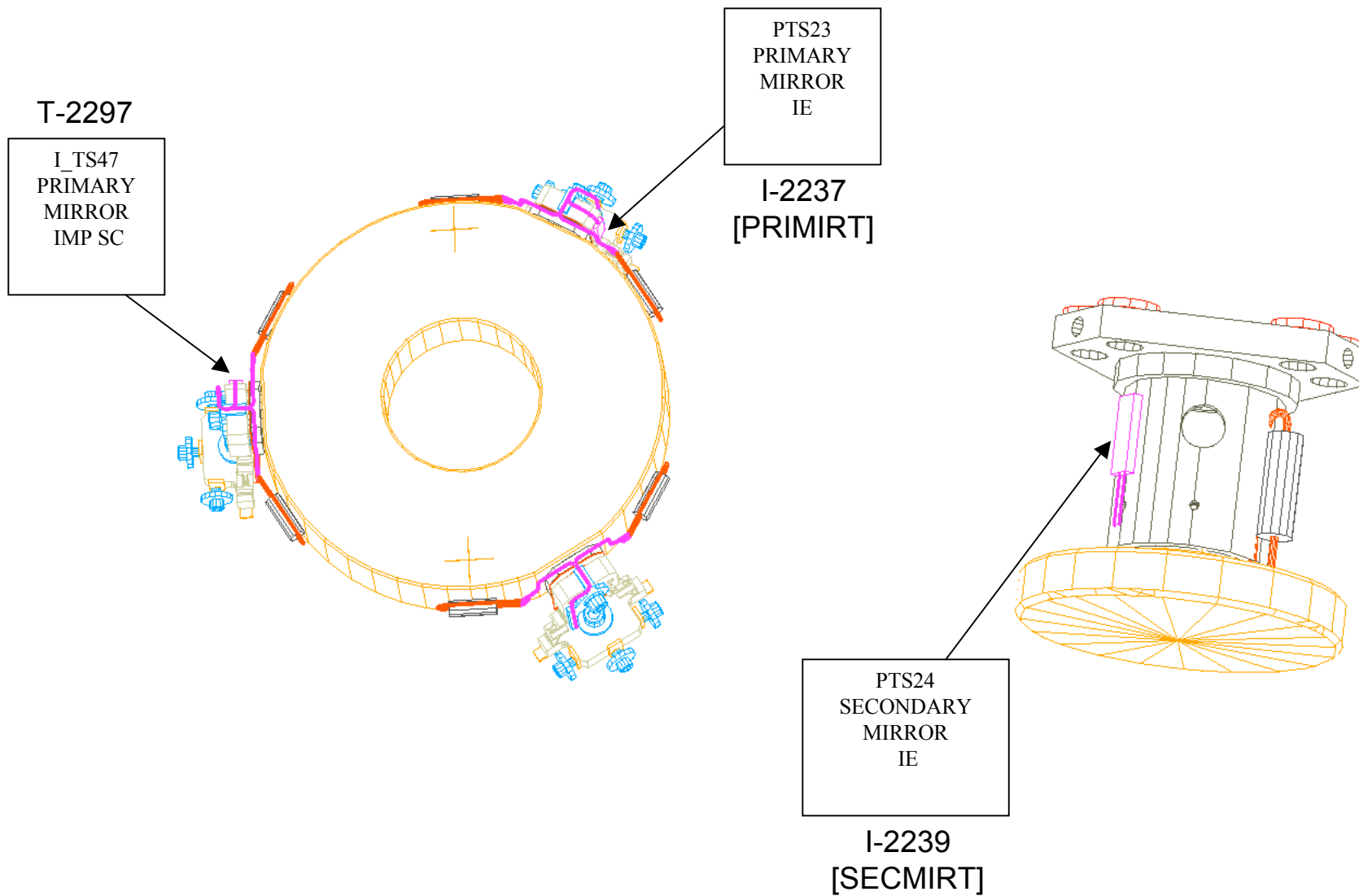


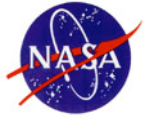
ITS External Structure 3 of 3



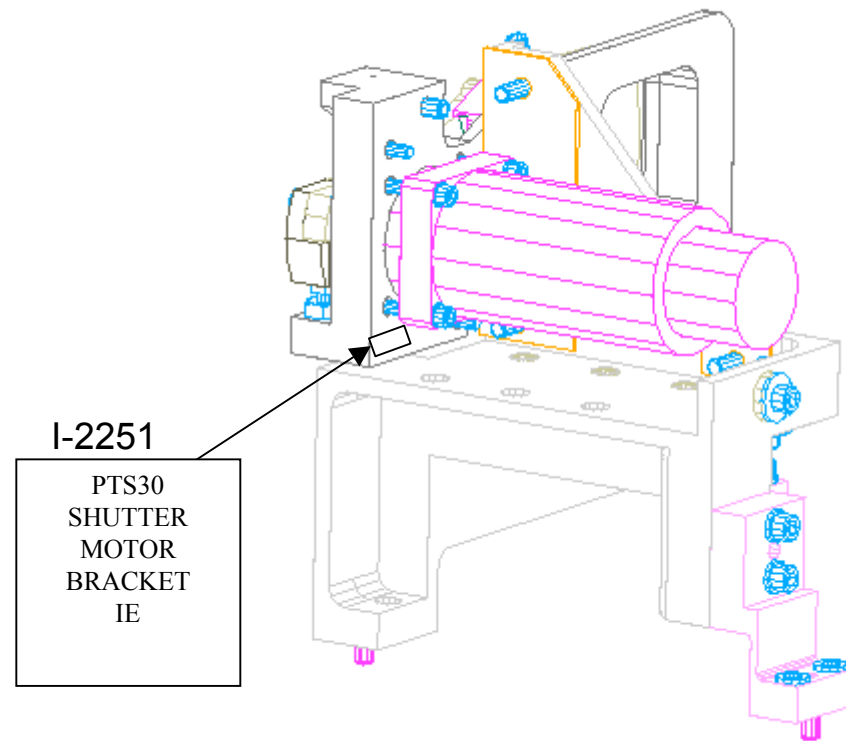


ITS Primary & Secondary Mirrors





ITS Shutter





GODDARD SPACE FLIGHT CENTER

GSFC STI PUBLIC DISCLOSURE EXPORT CONTROL CHECKLIST

Title: Pictorial Atlas of Deep Impact (& EPOX) Instrument Thermal Telemetry Points

Instructions – This checklist is used for the disclosures of STI, and ITAR or EAR controlled information.

For STI (scientific and technical information) disclosures subject to NPG 2200.2 (Guidelines for Documentation, Approval, and Dissemination of STI), this checklist should be forwarded with the NASA Form 1676 (NASA Scientific and Technical Document Availability Authorization (DAA)). For all other ITAR (International Traffic in Arms Regulations, 22 CFR 120-130) and EAR (Export Administration Regulations, 15 CFR 730-774) disclosures, this checklist should be forwarded with a copy of the information to the GSFC Export Control Office for review/approval. Completion of this checklist should minimize delays in approving most requests.

Background Information

The GSFC Export Control Office (Code 232) requests your assistance in assuring that your proposed disclosure (e.g., document, publication, presentation, or data) of NASA STI complies with the ITAR and the EAR. The NASA Export Control Program requires that every domestic and international release of GSFC STI be reviewed through the GSFC Export Control Office in accordance with the NASA Form 1676 process. Release of NASA information into a public forum may provide access to NASA technology to those countries with interests adverse to the United States. Failure to comply with the ITAR and/or the EAR may subject individuals to fines of up to \$1 million and/or up to ten years imprisonment per violation.

Generally, the export of information pertaining to the design, development, production, manufacture, assembly, operation, repair, testing, maintenance or modification of defense articles (e.g., space flight hardware, ground tracking systems, launch vehicles to include sounding rockets and meteorological rockets, radiation hardened hardware and associated hardware and engineering units for these items) are controlled by the State Department under the ITAR. The export of information with respect to ground based sensors, detectors, high-speed computers, and “dual use” (military/commercial) technology items are controlled by the Commerce Department under the EAR. A complete listing of items covered by the ITAR and the EAR can be accessed at <http://export.gsfc.nasa.gov>. If the information intended for release falls within the above categories but fits into one or more of the following exemptions, the information may be released.

EXEMPTION I – Public domain information

If your information is already in the public domain in its entirety through a non-NASA medium and/or through a NASA release previously approved by any NASA Export Control Office, the information is exempt. If the information falls into this category, you may attest that you are using this exemption by signing below.

Print Name and Code

Signature

Date

EXEMPTION II – Scientific data

If your information pertains exclusively to the release of scientific data (e.g., data pertaining to studies of clouds, soil, vegetation, oceans, planets, stars, galaxies and the universe) without the disclosure of information pertaining to articles controlled by the ITAR or EAR, such as flight instruments, high-speed computers, or launch vehicles, the information is exempt. If the information falls into this category, you may attest that you are using this exemption by signing below.

Print Name and Code

Signature

Date



GODDARD SPACE FLIGHT CENTER

**GSFC STI PUBLIC DISCLOSURE
EXPORT CONTROL CHECKLIST *CONTINUED***

EXEMPTION III – General purpose information

If your information falls into the ITAR or EAR areas of concern as referenced above, but is offered at a general purpose or high level (e.g., poster briefs and overviews) where no detailed technical information (e.g., design, development, production, or manufacturing) pertaining to ITAR or EAR controlled items is offered, the information is exempt. If the information falls into this category you may attest that you are using this exemption by signing below.

Alfred B. Schultz, Code 690.1

Alfred B. Schultz

Feb 4, 2008

Print Name and Code

Signature

Date

EXEMPTION IV – Software safety and assurance methodologies

If your information pertains exclusively to the release of software safety and assurance methodologies or studies, without disclosing information pertaining to articles controlled by the ITAR or EAR, the information is exempt. If the information falls into this category, you may attest that you are using this exemption by signing below.

Print Name and Code

Signature

Date

REQUEST FOR ITAR 125.4(b)(13) EXEMPTION – Technical data

If your information is not satisfied by the exemptions stated above, the information might be releasable using exemption 125.4(b)(13) of the ITAR. This exemption allows the release of ITAR controlled information into the public domain and does not require that the information be published in order to qualify. Use of this exemption is afforded only to agencies of the Federal Government. The GSFC Export Control Office will approve this exemption only after receiving assurance that such a release is a responsible action. The following guideline has been established regarding the use of this authority: The information may not offer specific insight into the design, development, production, or manufacture of an identified ITAR controlled item (reference paragraph 2 above) in sufficient detail (by itself or in conjunction with other information in the public domain) to allow potential adversaries to replicate the item, or exploit or defeat controlled U.S. technologies. All signatures of approval on NASA Form 1676 (and in the signature blocks below) expressly indicate concurrence with the responsible use of this exemption when it is requested. If you determine that you have met these criteria, you may attest your determination by signing below, and the GSFC Export Control Office will offer favorable consideration toward approving your request under this special exemption.

Print Name and Code

Signature

Date

If a NASA Form 1676 does not accompany this request, use of this exemption requires approval from a Branch-level or higher management official.

Print Name and Code

Signature

Date

The GSFC Export Control Office approves does not approve this exemption/request.

Thomas A. Weisz, Code 222274

Thomas A. Weisz

2/4/08

Center Export Administrator (CEA)

Signature

Date

If your STI, ITAR, or EAR disclosure does not satisfy any of the above exemptions, please contact the GSFC Export Control Office for further clarification on the releasability of your information under the ITAR or EAR.